

Metering Cabinets

NEMA 3R

Commercial Enclosures



**Inner
Panel
Included**



Application

- Designed for outdoor housing of metering transformers.

Standards

- CSA Approved, Type 3R
- **Complies with**
 - NEMA Type 3R
 - IEC 60529, IP24

Construction

- Formed and seam welded from 14 or 16 gauge steel.
- Smooth, continuously welded seams ground smooth.
- Formed lip on enclosure to exclude flowing liquids and contaminants.
- Padlockable “L” style handle.
- Oil resistant gaskets are permanently secured.
- Removable inner panel included.
- Collar studs provided for mounting inner panel.
- Doors may be easily removed for modifications and are interchangeable.
- Bonding stud provided on door and grounding stud installed in enclosure.
- Hinges are constructed from 304 stainless steel.
- Hinge pins are stainless steel.

Finish

- Cover and enclosure are phosphatized and finished with a recoatable ANSI 61 smooth Gray powder inside and out.
- Removable inner panel is finished in white powder coating.

Accessories

- Door stop kit
- Drip shield kits
- Mounting Foot Kit

| Part No. | Overall Dimensions | | | Panel Dimensions | | Type of Door | Ship Wt. lbs |
|--------------------|--------------------|----|----|------------------|-------|--------------|--------------|
| | A | B | C | D | E | | |
| C3RMC202010 | 20 | 20 | 10 | 18.17 | 18.17 | Single | 42 |
| C3RMC271310 | 27 | 13 | 10 | 25.17 | 11.17 | Single | 38 |
| C3RMC302010 | 30 | 20 | 10 | 28.17 | 18.17 | Single | 69 |
| C3RMC303010 | 30 | 30 | 10 | 28.17 | 28.17 | Double | 92 |
| C3RMC363612 | 36 | 36 | 12 | 34.17 | 34.17 | Double | 131 |
| C3RMC484812 | 48 | 48 | 12 | 46.17 | 46.17 | Double | 210 |

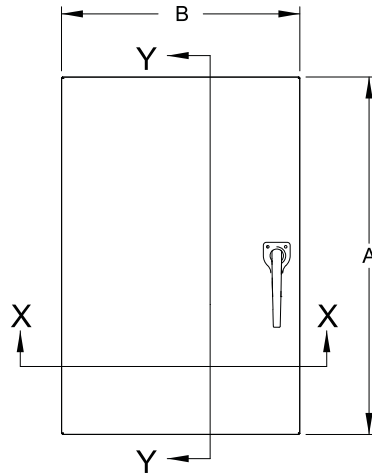
Technical references and CAD downloads available at www.hammondmfg.com

All dimensions in inches unless specified otherwise

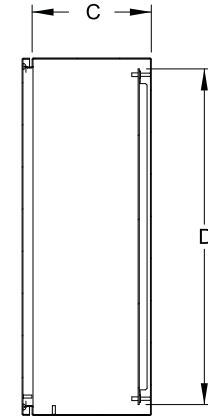
Metering Cabinets

Metering Cabinets
NEMA 3R

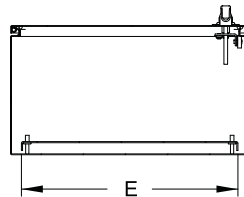
Single Door



Front View

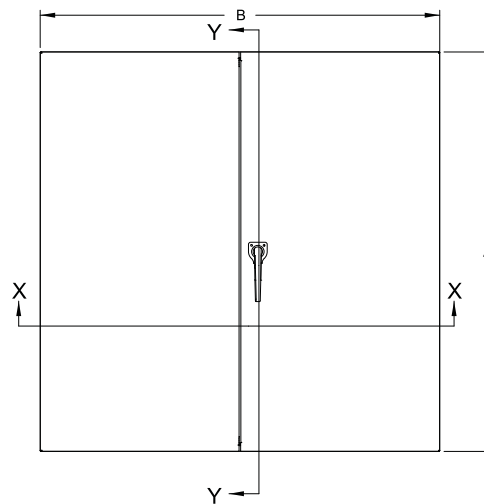


Section Y-Y

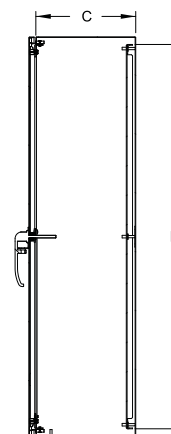


Section X-X

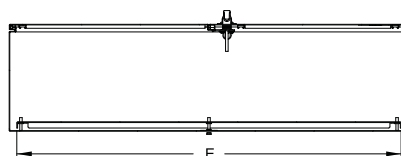
Double Door



Front View



Section Y-Y



Section X-X

Commercial Enclosures

Metering Cabinets